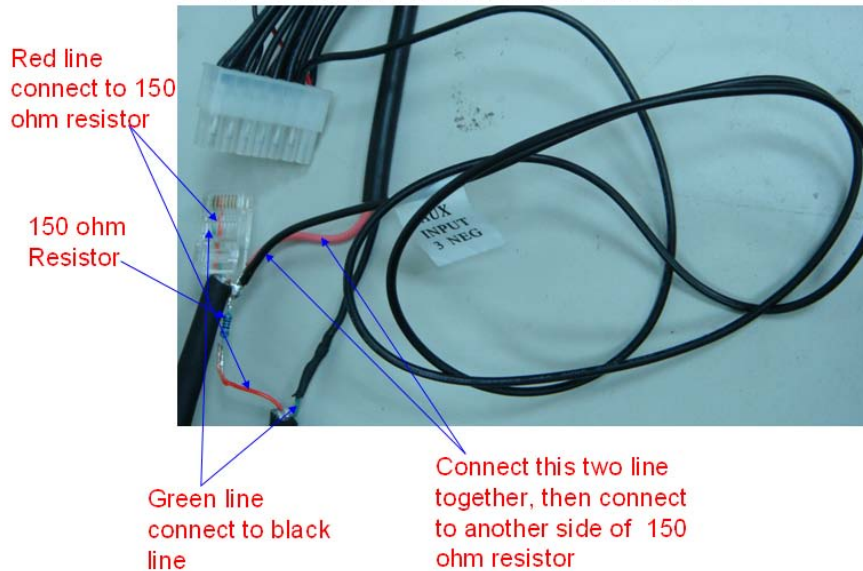


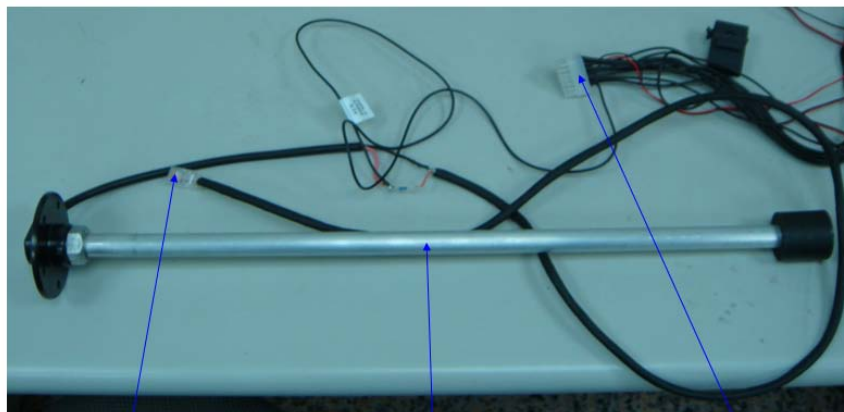
## GIỚI THIỆU CẢM BIẾN XĂNG DẦU

### A. Connect Format



2

### B. Total Product



R9 RJ45 Connector

Fuel AND Water Sensor

R9 I/O Cable

3

### C. Signal Measurement

- Put RJ45 and I/O Cable into Navibox R9 connector and give it power +12V
- When Sensor is at low position, measure the AUX3 input signal. It is 2Volt.
- When Sensor is at high position, measure the AUX3 input signal. It is 0.54Volt.

# D. Installtion

## 1. Components Included:

- a. Stainless Steel #316 screw x 6 PCs
- b. Stainless Steel # 316 no-head screw x 2 PCs
- c. Rubber gasket x 1PC
- d. PA66 fixing gasket (nut inserted) x 1 PC

## 2. Installation Steps:

- a. Screw in 1 PC no-head screw on the PA66 fixing gasket.
- b. Put the PA66 fixing gasket into the tank and have it pierce through the hole of the tank.
- c. Use one hand to seize the no-head screw and then screw another no-head screw into another hole of the tank.
- d. Place the rubber gasket firstly; then assemble the sensor.
- e. Screw in 4 PCs S.S. # 316 screws firstly, and removed 2 no-head screws.
- f. Screw in the remaining 2 PCs S.S. # 316 screws.

